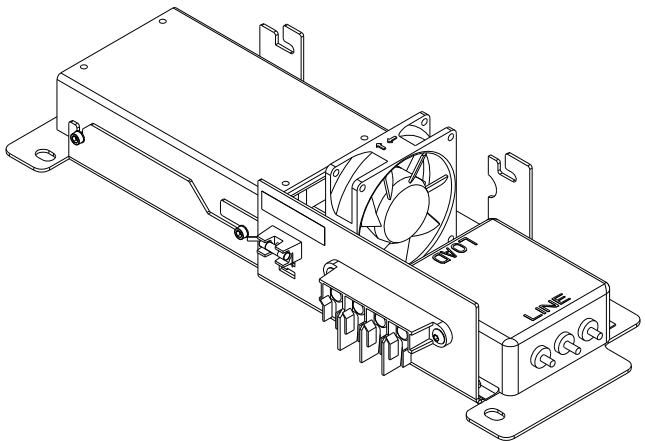
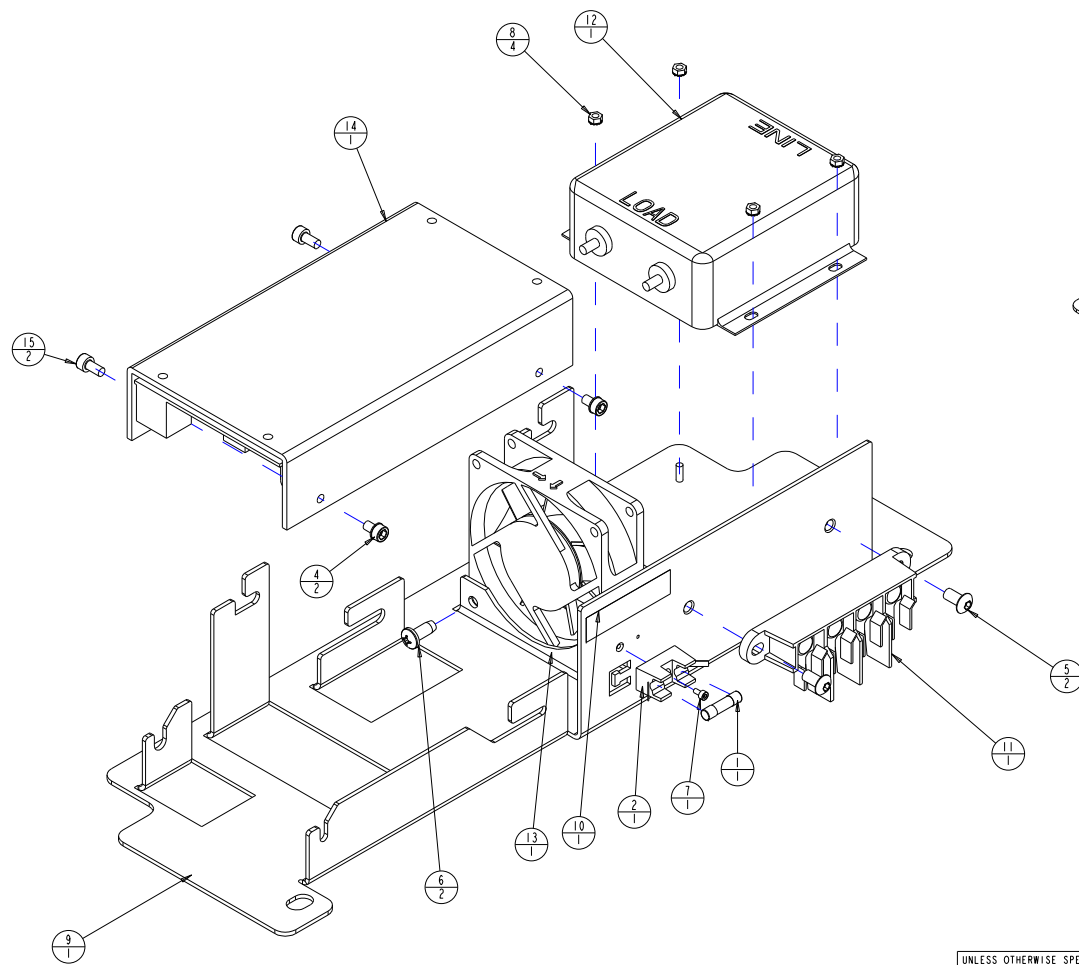


TZA035

REV.	DESCRIPTION	DATE	ENG	ECO #	APPR
1	CREATE DRAWING	01DEC07	PP		MB
2	ITEM 7 FROM 4 TO 6mm OAL	10DEC07	PP		MB
3	UPDATE DRAWING VIEWS AND BOM BALLOONS	14DEC07	PP		MB
4	ADD FUSE LABEL, ITEM 13	31JAN08	PP		MB
5	NEW PART # FOR ITEMS 13 AND 14	13MAR08	PP		MB
6	HARDWARE CHANGES PER FACTORY RECCOMENDATIONS	17APR08	PP		MB
7	REVISION CHANGE TO TZ114	29APR08	PP		MB



ITEM NO.	QTY.	FILENAME	PART NO.	REV	DESCRIPTION
15	2	SCREWM4AC08SS	91100408	.	SCREW,M4 SOCKET CAP 08 SS
14	1	TZA037	99070025EF	I	POWER SUPPLY, SWITCHING 40 V MOTOR W/PFC
13	1	FAN_80-80-25MM_AXIAL_EF	80270025	.	FAN, 12V DC 80 X 80 X 25MM
12	1	LINE_FILTER_MEA1	90601073EF	.	FILTER,RFI 20AEA-SCREW TERM IN/OUT
11	1	BLOCK_TERM3-TAB_4-POLE	90406151EF	.	TERMINAL BLOCK, 4 POS X 3 40 AMP CHAS MNT
10	1	TZ456	99310483	B	LABEL, FUSE BLOCK SLOW, MEA4
9	1	TZ114	99080348	A	PLATE, TRAY, 40V, POWER SUPPLY
8	4	NUTM3KEP	91201203	.	NUT,M3 KEPS
7	1	SCREWM2AC04BZ	91050204	.	SCREW,M2 SOCKET CAP 04 BZ
6	2	SCREW10-14PPF500	90709062	.	SCREW, #10 PHIL PAN 1/2 PLASTITE SZ
5	2	SCREWM5A10B7P	91010510	.	SCREW,M5 BUTTON 10 BZ W/PATCH
4	2	SCREWM4AC06W-BZ	91000406	.	SCREW,M4 SOCKET CAP 06 BZ SEMS
2	1	FUSE_HOLDERSX20	90412018	.	BLOCK, FUSE, SINGLE 5 X 20.
1	1	FUSE5X20_5A-SLOW	90403012	.	FUSE, 5 AMP SLOW

**BILL OF MATERIALS**

UNLESS OTHERWISE SPECIFIED: RELEASE DATE: CE: High End 2105 GRACY FARMS LANE AUSTIN, TEXAS 78758  
 DIMENSIONAL TOLERANCES: ENG: MIKEBELL OA: (512) 836-2242  
 0 PLACE DECIMAL = ±0.38 ME: FAK (512) 832-4128  
 1 PLACE DECIMAL = ±0.25 MEG: DRW: PETE PHILLIPS \*\*\*\*\* http://www.highend.com  
 2 PLACE DECIMALS = ±0.13 ANGLS = ±0.5 DESCRIPTION: ASSEMBLY, POWER SUPPLY, 40V MATERIAL: FINISH:

FOR PAINTED PARTS REFER TO ENG. SPEC. MANUAL WI-0582

ALL COMPONENTS, MATERIALS AND FINISHES TO BE R6HS COMPLIANT

MIN. DRAFT  
 MIN. RADII  
 FLATNESS  
 THICKNESS  
 VOLUME

INTERPRET DIMENSIONS PER ASME Y14.5M-1994 THIRD ANGLE PROJECTION DIMENSIONS ARE IN MILLIMETERS

SI METRIC A1

PART NO. INTERNAL TZA035 DRAWING NO. TZA035 REV. 7

DO NOT SCALE SCALE: 0.500 SHEET: 1 OF 1

**PROPRIETARY NOTICE:**  
 THIS DOCUMENT CONTAINS CONFIDENTIAL AND PROPRIETARY INFORMATION OF HIGH END SYSTEMS INC., (ALSO DBA LIGHTWAVE RESEARCH) AND IS GIVEN TO THE RECEIVER IN CONFIDENCE. THE RECEIVER ACCEPTS AND AGREES THAT, EXCEPT AS AUTHORIZED BY HIGH END SYSTEMS, THE RECEIVER WILL NOT PERMIT THE USE OF THE DOCUMENT OR ANY COPY THEREOF OR THE INFORMATION THEREIN, WILL NOT COPY OR PERMIT COPYING THE DOCUMENT OR THE INFORMATION THEREIN, AND WILL UPON COMPLETION OF THE NEED TO RETAIN THE DOCUMENT, OR UPON DEMAND, RETURN THE DOCUMENT WITHOUT RETAINING ANY OF THE INFORMATION CONTAINED THEREIN IN ANY FORM WHATSOEVER.